



Paint Removal with Infra Red

Old paint can be removed in many different ways but the most effective and safe method of them all, is paint removal using the Speedheater. All layers of paint bubble up quickly and afterwards you are able to remove all layers with one of Speedheater Systems specially designed gentle scrapers. The Speedheater removes paint, putty and varnish. It is the perfect tool for window restoration and will not break the glass.

The Speedheater uses Infra Red Technology which works in the opposite way from other heat sources used in torches and heat guns. Other heat sources heat from the surface - down in to the material, which need a very high temperature to get a reaction in the paint. The downsides of torches and heat guns are, because of the very high temperature, damaging to wood, higher risk of fire, and releases more toxic fumes. The Speedheater with its lower temperature tackles the paint surface differently, Infra Red Rays penetrate in to the wood and react with oil and moisture within the paint and wood which makes all layers of paint lift from the surface of the wood. Infra Red Paint Removal was invented by Birger Ericson who is the founder of Speedheater Systems.

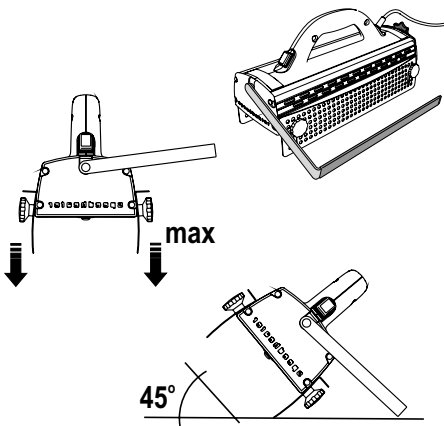
Birger Ericson had been a contractor for many years specializing in the restoration of historical buildings. As a contractor he had used all methods available for paint removal and he did not like working with any of them because they were unhealthy, difficult and damaging to the wood surface. He decided that he was going to invent a better way for paint removal and started selling earlier versions of the Speedheater in 1991. The Speedheater is a Swedish high quality product and with proper handling, is made to last for a long time. The machine is UL approved and the bulbs have a 5000 hour life time. Speedheater Systems products have been used by professionals and window restorers for several years and in the recent few years these products have become available for DIY as well.

All-round and attractive paint removal tool



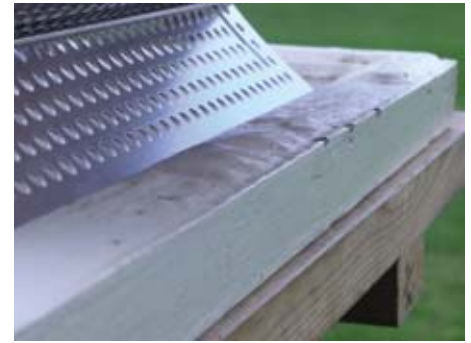
It is the unique ability of the Speedheater to heat without burning that makes this tool so interesting for the DIY home owner. If the tool is handled according to the simple instruction included, an ordinary person with out previous knowledge can easily restore windows without damaging the wood and glass. The Infra Red machine can be used on many more projects aside from windows, such as exterior paint removal, interior, furniture, wooden boats and the list goes on.....The Speedheater should definitely have a permanent place in every tool shed.

Basic handling instructions for Speedheater 1100



For best results, the protective plates need to always be fully extended and the reason is that at this distance the Infra Red Rays will penetrate deeper in to the material and as a result, more effective without burning the wood. Make sure that the working area is well ventilated. Old paint discards could be toxic, make sure to collect the paint remains and throw away in the right disposal at a waste station.

Paint and Putty Removal from window - 4 simple steps



Place the Speedheater 1100-15 in an angle with the help of the angle support. Begin heating paint and putty for about 1-2 minutes. Putty takes a little longer to soften than paint and even if the paint surface is ready and it has bubbled up, it is good to wait close to 2 minutes for the putty to soften.



Move Speedheater 1100-15 to the next area and begin heating. Use the Boomerang Scraper with both hands and remove all layers of paint from window frame. The Boomerang Scraper is also great to use when removing paint from fine carpentry and detail.



Remove putty with "Chisel with Roller". The tool Chisel with roller is a simple tool to use and does not put any pressure on the glass. Be careful not to hit the nail on the glass to hard.



Scrape of residual putty from glass with the putty scraper. Speedheater Systems Putty scraper is specially sharpened not to scratch the glass.

speedheater® System

Solutions for Paint Removal

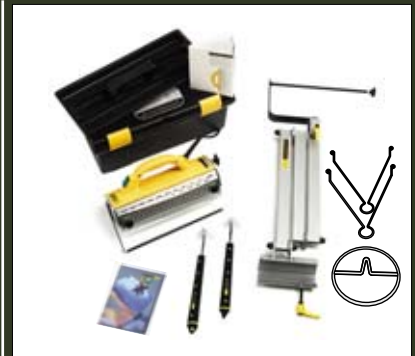


Paint Stripping



Strip GREEN Strip SAFE Strip FAST

Remove paint, putty and varnish in just seconds, using The Speedheater System™ from Sweden. Our NEW UL approved Speedheater, hands free attachments and unique professional scrapers is the best solution for the toughest paint stripping problems.



SH IR System Classic is an efficient and flexible solution for large interior and exterior paint removal jobs. Our unique scraping tools, suspension systems (with many adjustment possibilities) and The IR Paint Remover makes it possible for you to remove paint from siding and other surfaces quickly and efficiently. Both hands are available for scraping and while working on one area, the next is warmed up and prepared for scraping.



SH IR System Standard is a complete solution for different smaller paint removal jobs. This system can be used when working on a ladder and the ladder hook enables you to hang the Speedheater when scraping. The different scraping tools, is all you need for every type of paint surface.



SH IR System Window is a complete system for window restoration. Our unique scraping tools and The IR Paint Remover makes it possible for you to remove paint and putty at the same time, without breaking the glass. Additional blades are included in this kit, for other paint removal surfaces.

Literary Hill Designs

Phone (850) 297-1041
Fax (850) 297-1074
www.literaryhilldesigns.com